

GT 710

Medium Duty, Surface-Mounted, Low Energy, ADA*, Fire-Rated Swing Door System

The GT 710 operates in both automatic and manual modes. It features a 2-60 second hold-open range and a “push-n-go” feature. The GT 710 operator has a hydraulic backcheck that protects the door and operator from damage when forced open in windy conditions or when manually operated. In manual mode, the system closes slowly upon release to enable passage. The GT 710 with its hydraulic closer offers the flexibility to adjust the closing pressure as needed for specific site conditions. The GT 710 operator is now approved for use on fire door assemblies rated up to 3 hours.



The GT 710 Single Swing Door

PRODUCT FEATURES

- Proven hydraulic design for **proven reliability**
- In manual mode, door opens with very little pressure and closes slowly providing **easy operation for handicapped or elderly pedestrians**
- **Compact 5-3/4" x 6" (146.0mm x 152/0 mm) cross section**
- **Low current draw** - less than 3 amp, 115 VAC, 1-phase
- Magnum Microprocessor based control with multiple functions **to suit your requirements**
- Adjustable opening and closing speeds allow the door to close sooner for energy savings or slower for increased pedestrian protection
- “Push-N-Go” feature provides **easy automatic operation for handicapped or elderly pedestrians** and **eliminates the cost of wall switches**
- Recycle feature stops and reverses direction of opening door when an object is encountered for **greater pedestrian protection**
- Works with new or existing door frames
- **Approved for use on fire door assemblies** rated up to 3 hours
- Optional length headers for **improved appearance**
- Convenient **Sideload Header**
- Sideload access panel pivots up and locks into position, enabling the operator to be **quickly installed or removed for easy servicing** while allowing the door to remain in a closed position, **eliminating the loss of energy from within the building**
- **OPMAN** version available - single header for 2 doors with automatic operator in one side and a manual closer in the other
- Auxiliary sensing devices available
- Additional safety devices can be easily added
- CAD drawings and 3-part specs are available on the website www.nabcoentrances.com

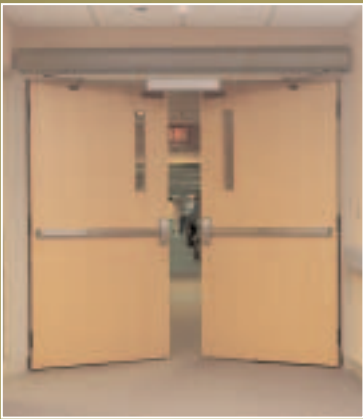
**Sensitivity adjustment features may be affected by windy conditions.

APPROVALS:

** All features, components and accessories meet ANSI 156.19 standards. They are also CSA and UL approved and comply with ANSI 117.1 and the Low Energy Operator section of ADA*

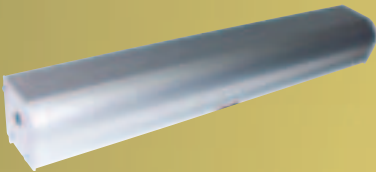


GT 710 Hydraulic Operator



The GT 710 with Fire Door Package

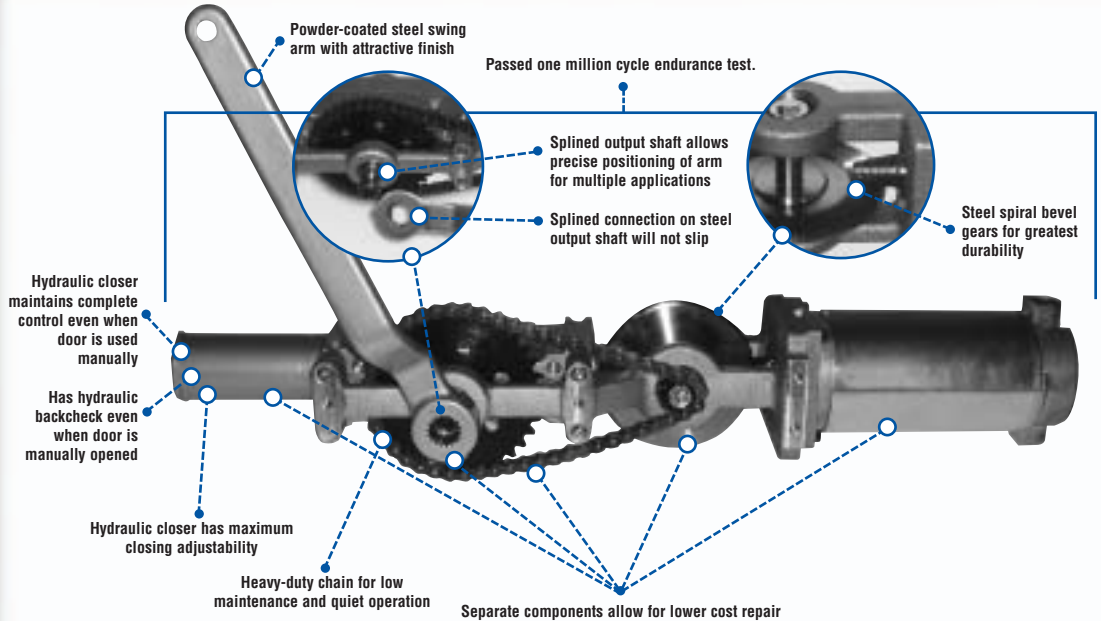
Available with Sideload Header for easier and faster installation and servicing of the door operator and controls



Attractive curved profile



NABCO offers a complete line of activating devices including key switches, wall switches, jamb mounted switches and radio controls.



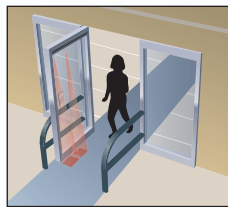
FINISHES:

The GT 710 is available in 2 standard anodized finishes, clear aluminum or dark bronze. NABCO can provide a custom color match in wet paint or powder coat paint. Custom anodized colors are available to meet your specifications. The header can also be clad in stainless or bronze with your choice of finishes.

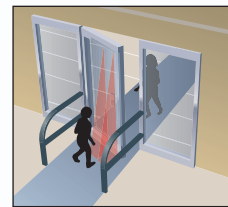
OPTIONAL SENSORS:



ACUGARD 3 LE Door Mounted Sensor



When mounted on the approach (non-swing) side, ACUGARD 3 LE utilizes a focused infrared pattern that detects a person in the path of the door and re-opens the door.



When mounted on the swing side, as the door opens, ACUGARD 3 LE detects a person in the path of the door and stops the door from opening.

NABCO SERVICE

Our friendly, qualified technicians service swing, slide, and folding doors, and sensors for all major brands of entrances. NABCO also offers turnkey programs that meet all ANSI standards to replace entire entrance systems from tear-out to finish.

Email – customerservice@nabcoentrances.com

TECHNICAL SPECIFICATIONS:

Complete 3-part specs are available at www.nabcoentrances.com

Distributed By:

MANUFACTURER
 NABCO ENTRANCES INC.
 P.O. Box 906
 Muskego, WI 53150
 Phone 877-622-2694 Fax 888-679-3319

www.nabcoentrances.com
 email info@nabcoentrances.com